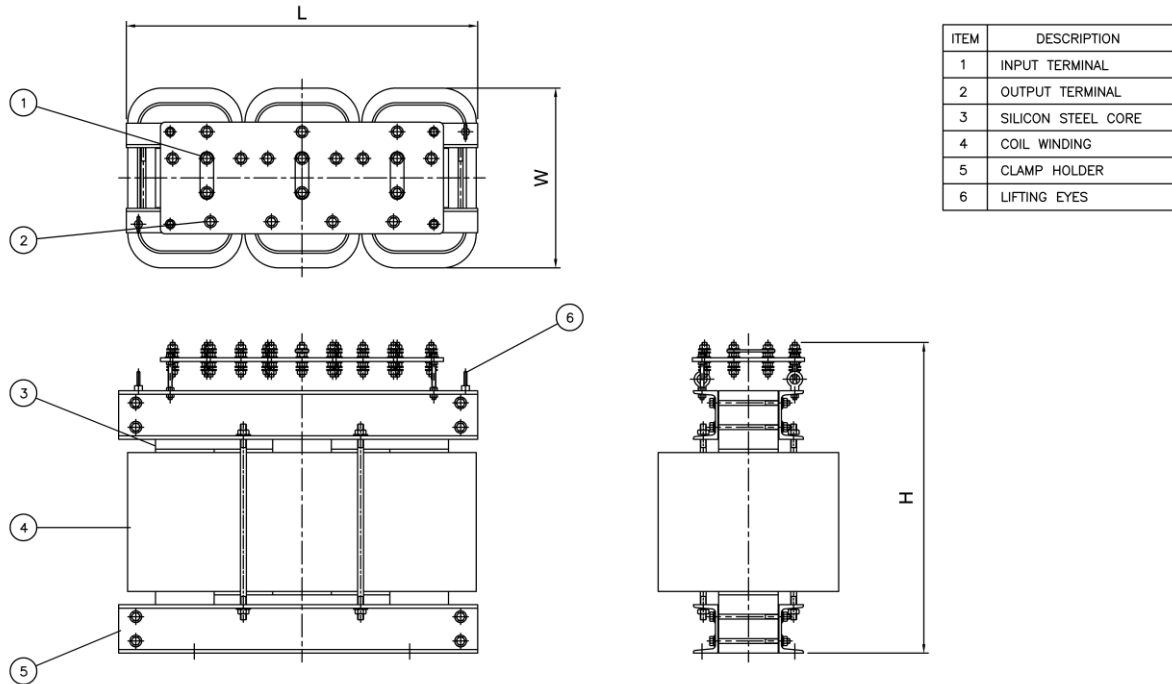


TECHNICAL DATA OF LOW VOLTAGE SEPARATED WINDING DRY TYPE THREE PHASE TRANSFORMER



Rated primary voltage : 100 V - 1000 V

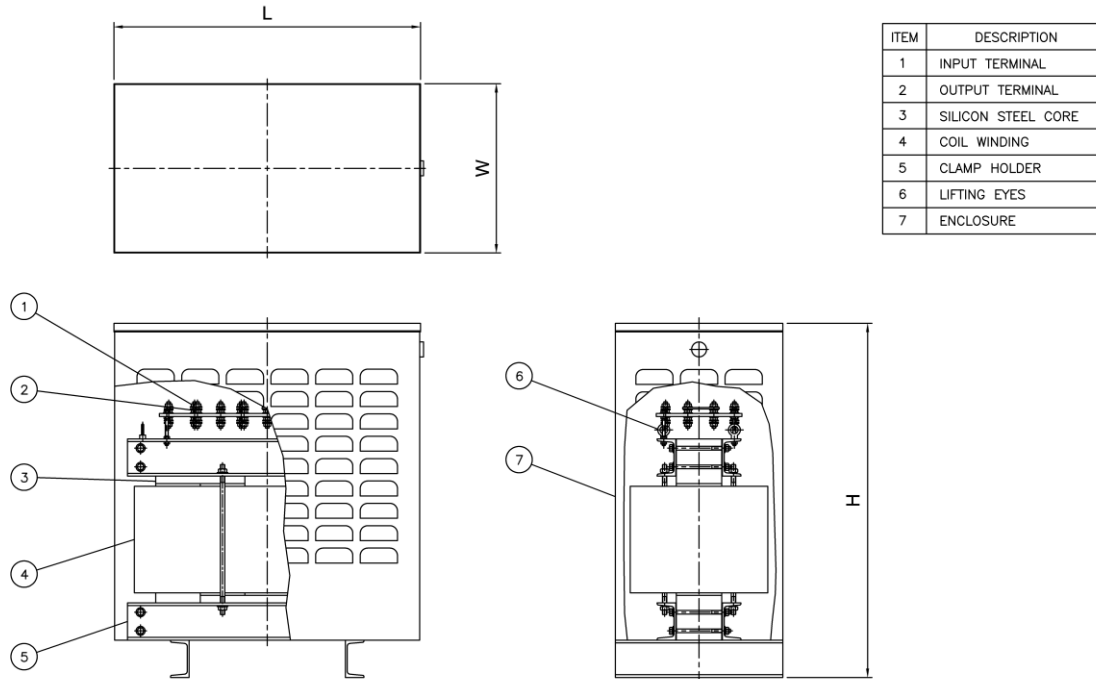
CAPACITY	NO-LOAD LOSSES	LOAD LOSSES AT 75 °C	TOTAL LOSSES AT 75 °C	IMPEDANCE AT 75 °C	EFFICIENCY (P.F.=1)		VOLTAGE REGULATION AT FULL LOAD (P.F.=1)	NOISE LEVEL dB (A) : 0.3 m	OUTLINE DIMENSION Approx.(mm.)			TOTAL WEIGHT Approx.
					1/2 Load (%)	Full Load (%)			W	L	H	
(kVA)	(Watt)	(Watt)	(Watt)	(%)			(%)					(kg)
10	130	340	470	4.0	95.88	95.51	3.42	25	250	360	400	80
15	200	500	700	4.0	95.85	95.54	3.36	30	270	420	450	113
20	300	650	950	4.0	95.58	95.47	3.28	30	300	480	500	145
25	335	760	1095	4.0	95.97	95.80	3.07	30	320	480	500	265
30	410	920	1330	4.0	95.91	95.75	3.10	30	340	540	550	215
40	530	1250	1780	4.0	95.96	95.74	3.16	30	380	600	600	280
50	600	1700	2300	4.0	96.06	95.60	3.42	30	380	660	650	300
60	670	2100	2770	4.0	96.17	95.59	3.52	40	400	720	700	370
80	770	2800	3570	4.0	96.46	95.73	3.52	40	430	720	700	450
100	830	3200	4030	4.0	96.84	96.13	3.23	40	450	780	750	540
120	960	3500	4460	4.0	97.03	96.42	2.95	40	480	780	780	610
150	1200	3900	5100	4.0	97.18	96.71	2.65	40	500	840	820	700
200	1600	4200	5800	4.0	97.42	97.18	2.16	40	540	840	850	830
250	2000	4500	6500	4.0	97.56	97.47	1.86	45	550	900	850	980
300	2500	5000	7500	4.0	97.56	97.56	1.73	45	580	900	880	1100

Note :

1. The transformer is designed to operated under the following conditions
 - Altitude : Up to 1000 m above sea level
 - Ambient air temperature : 40 °C maximum
2. Limits of temperature rise (winding) : 100 °C maximum
3. Insulation class : F (155 °C)
4. Connection symbol : Dd 0 or Dyn 11
5. Reference standard : IEC 60726
6. Special vector group and other voltage available upon request

The contents and specifications of this datasheet are subject to change without prior notice. No part of this data may be reproduced without the prior approval of Thai Maxwell Electric.

TECHNICAL DATA OF LOW VOLTAGE SEPARATED WINDING DRY TYPE THREE PHASE TRANSFORMER IP21



Rated primary voltage : 100 V - 1000 V

CAPACITY	NO-LOAD LOSSES	LOAD LOSSES AT 75 °C	TOTAL LOSSES AT 75 °C	IMPEDANCE AT 75 °C	EFFICIENCY (P.F.=1)		VOLTAGE REGULATION AT FULL LOAD (P.F.=1)	NOISE LEVEL dB (A) : 0.3 m	OUTLINE DIMENSION Approx.(mm.)			TOTAL WEIGHT Approx.
					1/2 Load (%)	Full Load (%)			W	L	H	
(kVA)	(Watt)	(Watt)	(Watt)	(%)			(%)					(kg)
10	130	340	470	4.0	95.88	95.51	3.42	25	370	460	600	100
15	200	500	700	4.0	95.85	95.54	3.36	30	380	520	650	145
20	300	650	950	4.0	95.58	95.47	3.28	30	400	580	700	180
25	335	760	1095	4.0	95.97	95.80	3.07	30	420	580	700	200
30	410	920	1330	4.0	95.91	95.75	3.10	30	440	640	750	240
40	530	1250	1780	4.0	95.96	95.74	3.16	30	480	700	800	330
50	600	1700	2300	4.0	96.06	95.60	3.42	30	500	760	850	370
60	670	2100	2770	4.0	96.17	95.59	3.52	40	520	820	900	430
80	770	2800	3570	4.0	96.46	95.73	3.52	40	540	820	900	510
100	830	3200	4030	4.0	96.84	96.13	3.23	40	550	900	1000	620
120	960	3500	4460	4.0	97.03	96.42	2.95	40	550	900	1000	680
150	1200	3900	5100	4.0	97.18	96.71	2.65	40	650	1000	1100	780
200	1600	4200	5800	4.0	97.42	97.18	2.16	40	680	1000	1100	920
250	2000	4500	6500	4.0	97.56	97.47	1.86	45	750	1100	1150	1070
300	2500	5000	7500	4.0	97.56	97.56	1.73	45	800	1100	1200	1200

Note :

1. The transformer is designed to operated under the following conditions
 - Altitude : Up to 1000 m above sea level
 - Ambient air temperature : 40 °C maximum
2. Limits of temperature rise (winding) : 100 °C maximum
3. Insulation class : F (155 °C)
4. Connection symbol : Dd 0 or Dyn 11
5. Reference standard : IEC 60726
6. Special vector group and other voltage available upon request
7. The enclosures are designed to installation under IP21 standard
8. Other IP standard available upon request