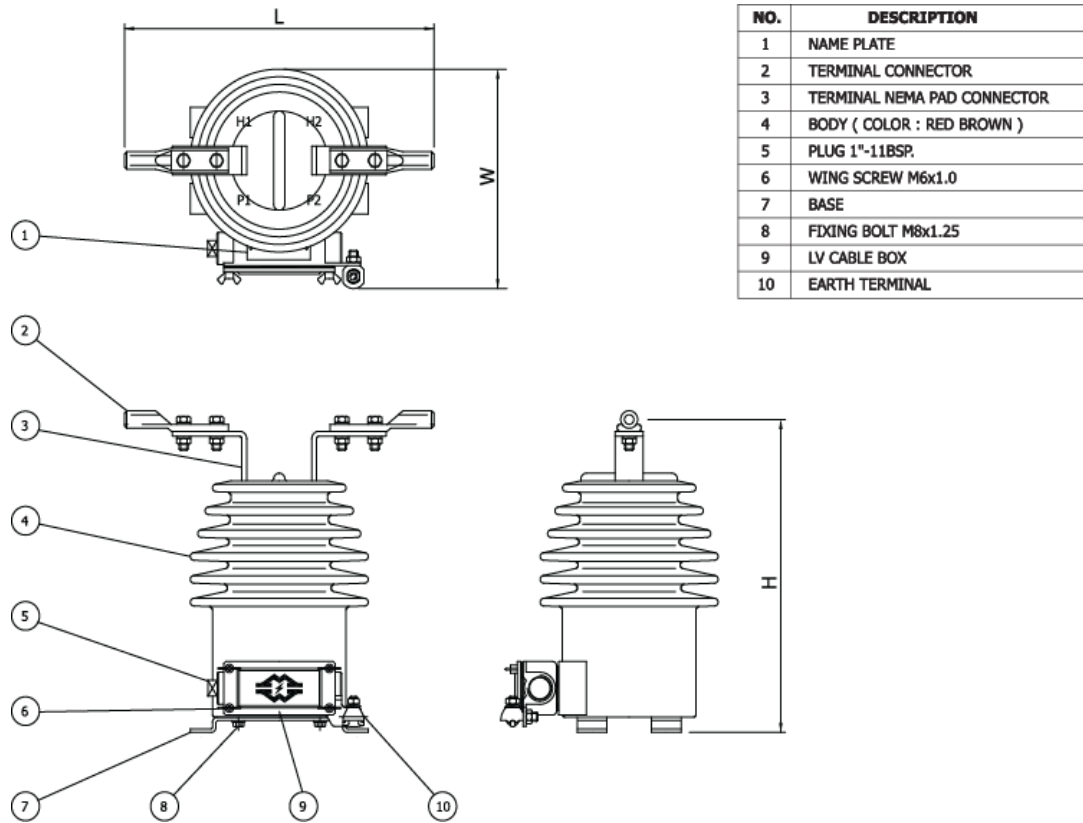


## TECHNICAL DATA OF MV CAST RESIN CURRENT TRANSFORMER (OUTDOOR TYPE)



NO.	DESCRIPTION
1	NAME PLATE
2	TERMINAL CONNECTOR
3	TERMINAL NEMA PAD CONNECTOR
4	BODY ( COLOR : RED BROWN )
5	PLUG 1"-11BSP.
6	WING SCREW M6x1.0
7	BASE
8	FIXING BOLT M8x1.25
9	LV CABLE BOX
10	EARTH TERMINAL

### Rated primary voltage : 12 - 36 kV

RATED OUTPUT (BURDEN)	PRIMARY CURRENT	SECONDARY CURRENT	ACCURACY CLASS	OUTLINE DIMENSION (Maximum in mm.)			TOTAL WEIGHT (Maximum)
				W	L	H	
(VA)	(A)	(A)	(%)				(kg)
20 - 500	10 - 1000	5 or 1	0.2 - 3.0 and/or 5P10 - 10P20	240	280	430	20

#### Note :

- The transformer is designed to operated under the following conditions
  - Altitude : Up to 1000 m above sea level
  - Ambient airtemperature : 40 °C maximum
- Limits of temperature rise (winding) : not exceeding 60 °C
- Insulation Class : E (120 °C)
- Reference standard : IEC 60044-1, ANSI/IEEE C57.13
- Other voltage and current available upon request