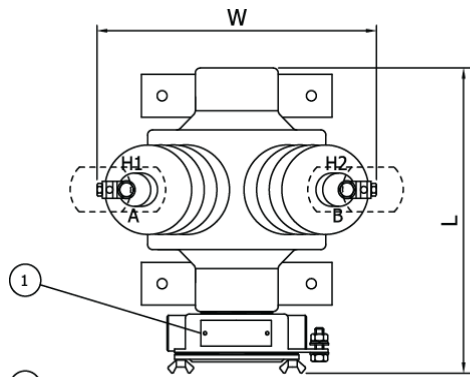
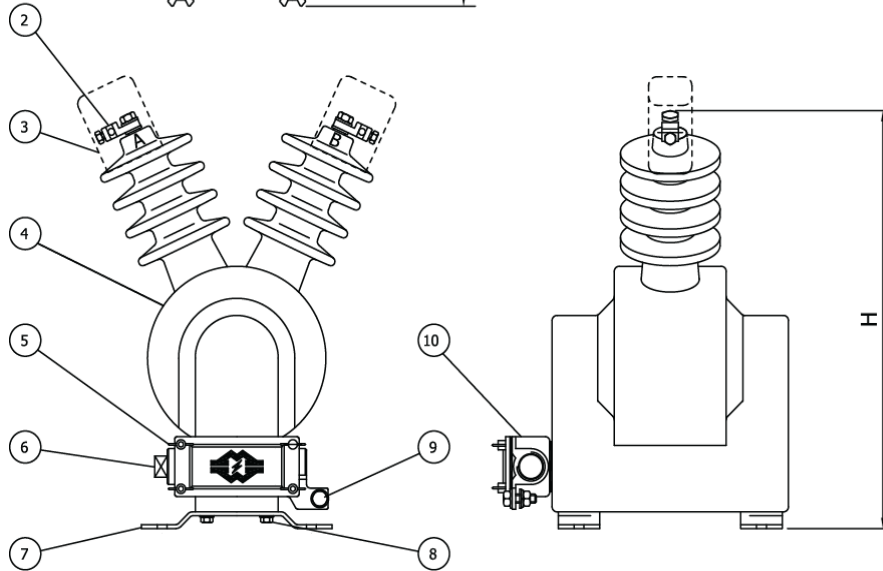


TECHNICAL DATA OF MV CAST RESIN VOLTAGE TRANSFORMER (OUTDOOR TYPE)



NO.	DESCRIPTION
1	NAME PLATE
2	TERMINAL CONNECTOR
3	INSULATION CAP
4	BODY (COLOR : RED BROWN)
5	WING SCREW M6x1.0
6	PLUG 1"-11BSP.
7	BASE
8	FIXING BOLT M8x1.25
9	GROUND TERMINAL
10	LV CABLE BOX



Rated primary voltage : 12 - 36 kV

RATED OUTPUT (BURDEN)	PRIMARY VOLTAGE	SECONDARY VOLTAGE	ACCURACY CLASS	OUTLINE DIMENSION (Maximum in mm.)			TOTAL WEIGHT (Maximum)	
				W	L	H		
(VA)	(V)	(V)	(%)				(kg)	
20 - 500	up to 36000	110, 120	0.2 - 3.0 and/or or 6P	3P	350	350	490	36

Note :

- The transformer is designed to operated under the following conditions
 - Altitude : Up to 1000 m above sea level
 - Ambient airtemperature : 40 °C maximum
- Limits of temperature rise (winding) : not exceeding 60 °C
- Insulation Class : E (120 °C)
- Reference standard : IEC 60044-2, ANSI/IEEE C57.13
- Other voltage and current available upon request

The contents and specifications of this datasheet are subject to change without prior notice. No part of this data may be reproduced without the prior approval of Thai Maxwell Electric.