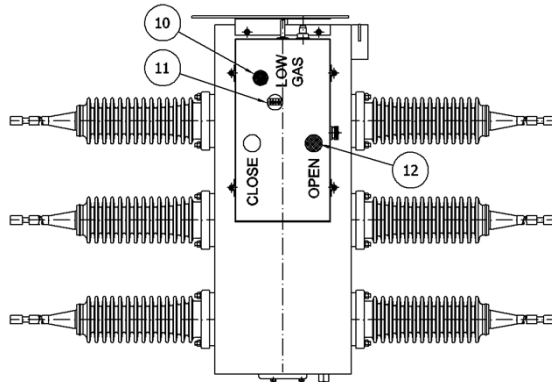
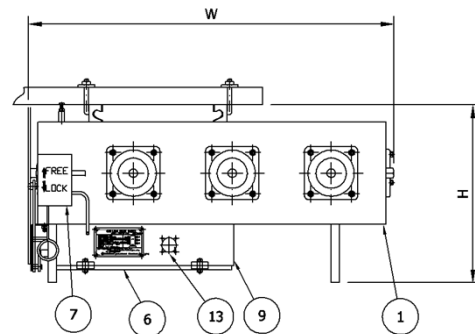
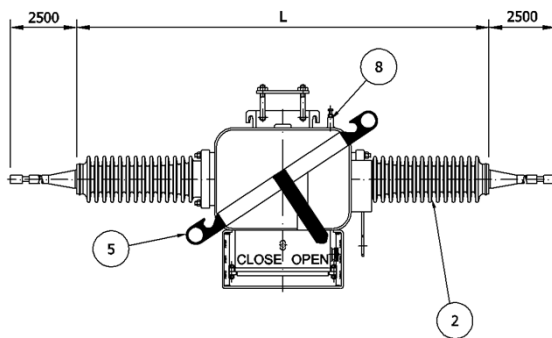


TECHNICAL DATA OF SF₆ GAS LOAD BREAK SWITCH (SF₆ LBS)



NO.	DESCRIPTION
1	TANK
2	BUSHING
3	SAFETY MEMBRANE
4	GAS FILLER
5	HANDLE
6	ON/OFF INDICATOR
7	MANUAL LOCK
8	GROUND TERMINAL
9	BOX
10	LOW PRESSURE TARGET
11	COUNTER
12	ON/OFF TARGET
13	CONTROL RECEPTACLE



TYPE / MODEL		GLBS-2M	GLBS-3M
Rated voltage	kV	22	33
Rated frequency	Hz	50	
Rated normal current	A	630	400
Rated symmetrical interrupting current	A	630	400
Rated short-time withstand current, 1 - second	kV (r.m.s.)	12.5	10
Rated short-circuit making current	kA (peak)	31.25	25
Rated power frequency withstand voltage, 1 - minute	kV (r.m.s.)	60	70
Rated impulse withstand voltage	kV (peak)	145	170
Rated mainly active load breaking capacity	A	630	400
Rated transformer off-load breaking capacity	A	14 (21)	
Rated cable-charging breaking capacity	A	20	
Time to open, at rated normal current	seconds	< 0.7	
Time to close	seconds	< 0.7	
Maximum temperature rise of			
- Contacts	K	< 65	< 50
- Current carrying parts	K		
- Mechanical parts	K		
Number of operations			
- Mechanical	-	2,000	
- Electrical (at rated normal current interruption)	-	400	
Rated pressure range of SF ₆ gas	PSI	14.5	
Low pressure alarm	PSI	8.7 - 10.1	
Pressure of SF ₆ when locking device operates	PSI	4.3 - 7.2	
Protection degree of assembled enclosure	-	IP 65	
Operation force of handle	kgf	18	
Conductor material of main circuit leads	-	Copper	
Cross section area of main circuit lead	mm ²	185	125
Creepage distance of bushing or supporting insulator, from live part to ground	mm	≥ 600	≥ 900
Net weight	kg	170	
Dimension (W x L x H)	mm	920 x 1050 x 520	1070 x 1208 x 520

The contents and specifications of this datasheet are subject to change without prior notice. No part of this data may be reproduced without the prior approval of Thai Maxwell Electric.